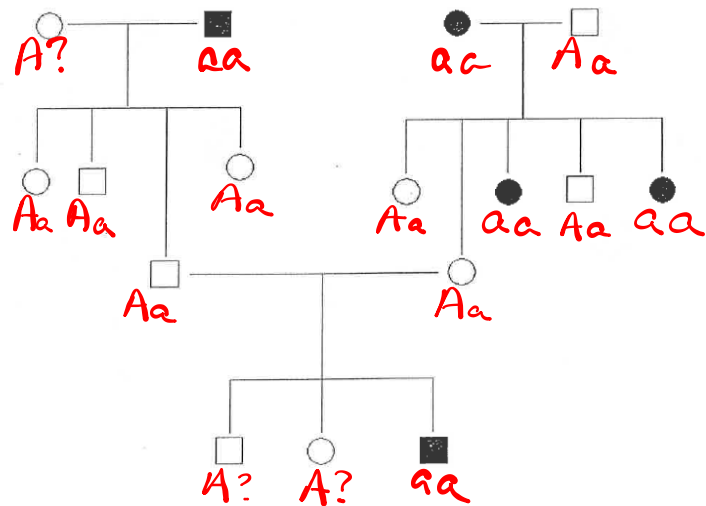
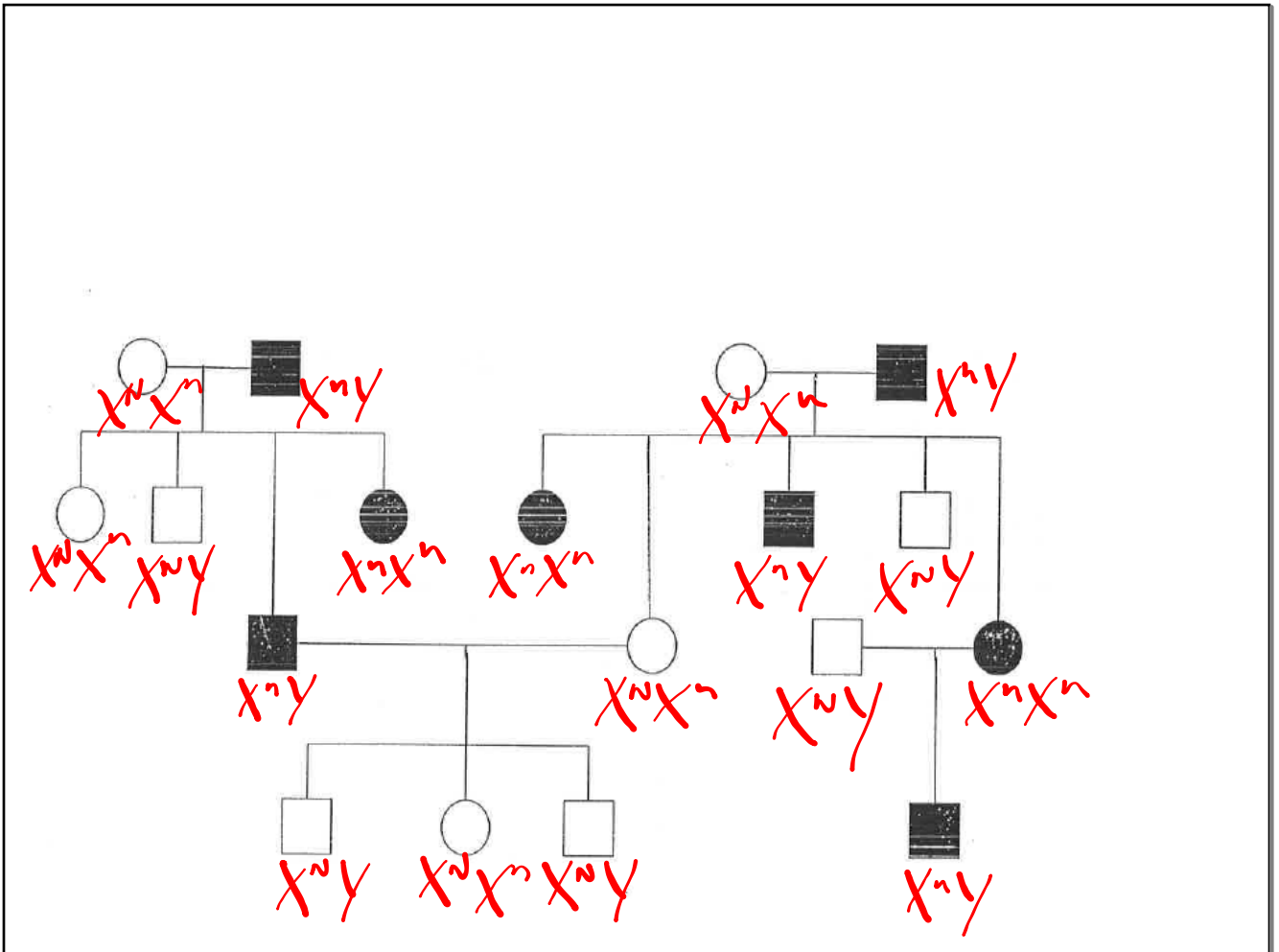


choose: $\begin{cases} AA \\ Aa \\ aa \\ A? \end{cases}$





Monohybrid cross:

P₁: TT × tt
 tall short

F₁: all tall Tt

F₁ cross Tt × Tt

F₂:

	T	t
T	TT	Tt
t	Tt	tt

phenotype ratio:
 3:1

Dihybrid cross:

P₁: YYRR x yyrr
 yellow, round green, wrinkled

F₁: YyRr x YyRr

GAMETES:
 ("FOIL")

YR yR
 Yr yr

phenotype ratio:

9:3:3:1

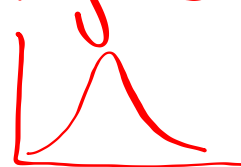
	YR	Yr	yR	yr
YR	YYRR	YYRr	YyRR	YyRr
Yr	YYRr	YYrr	YyRr	Yyrr
yR	YyRR	YyRr	yyRR	yyRr
yr	YyRr	Yyrr	yyRr	yyrr

incomplete DOMINANCE - Both ALLELES
contribute to phenotype
(hybrid = blend)

CODOMINANCE - Both TRAITS EXPRESSED
hybrid - shows both

MULTIPLE ALLELES - > 1 ALLELE possible
more than 2 phenotypes

POLYGENIC traits - 2 OR MORE GENES
controls
- many phenotypes





Blood type/groups:

Rh - simple dom/rec = + or -

ABO - multiple alleles
- codominant - A B

$$I_A I_B = AB$$

$$I_A I_A \text{ or } I_A i = A$$

$$I_B I_B \text{ or } I_B i = B$$

$$ii = O$$

O = universal donor

AB = universal recipient

