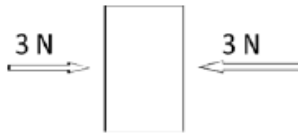


1. What is the net force on the objects below?

a.



Net force = 0 N

b.



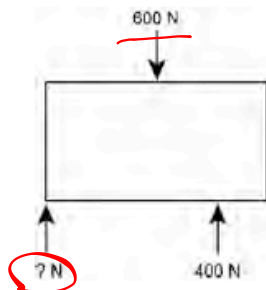
Net force = 60 N →

c.



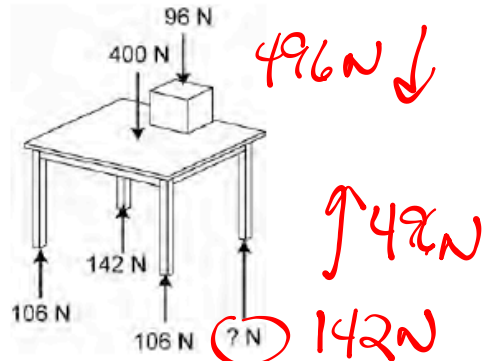
Net force = 2 N ←

2. Supply the missing force necessary to achieve equilibrium.

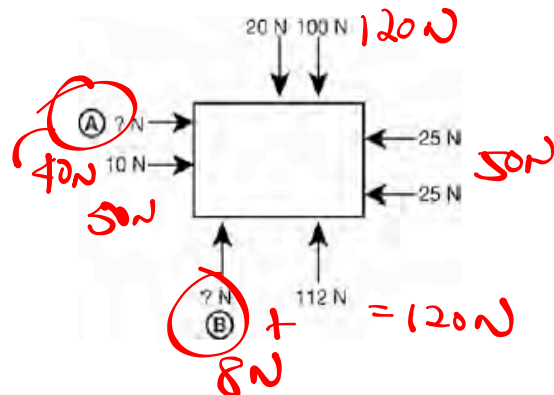


200 N = 600 N

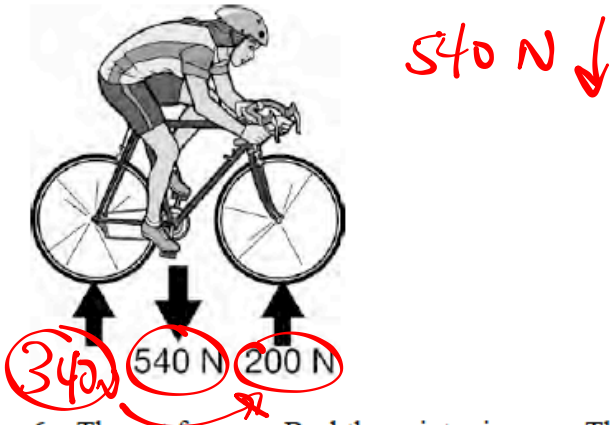
3. Supply the missing force necessary to achieve equilibrium



4. Supply the missing force necessary to achieve equilibrium



5. In the picture, a girl with a weight of 540 N is balancing on her bike in equilibrium, not moving at all. If the force exerted by the ground on her front wheel is 200 N, how much force is exerted by the ground on her back wheel?



6. The net force on Burl the painter is zero. The total weight of Burl and the staging is 1,200 N. Fill in the readings on the readings on the scale.

