

Hemophilia – Sex-linked recessive disease. Pedigree practice



1. What is the phenotype?

❖ Male with hemophilia

2. What is the genotype?

❖ X^nY

Hemophilia – Sex-linked recessive disease. Pedigree practice



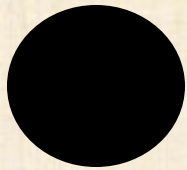
1. What is the phenotype?

❖ Normal male

2. What is the genotype?

❖ $X^N Y$

Hemophilia – Sex-linked recessive disease. Pedigree practice



1. What is the phenotype?

❖ female with hemophilia

2. What is the genotype?

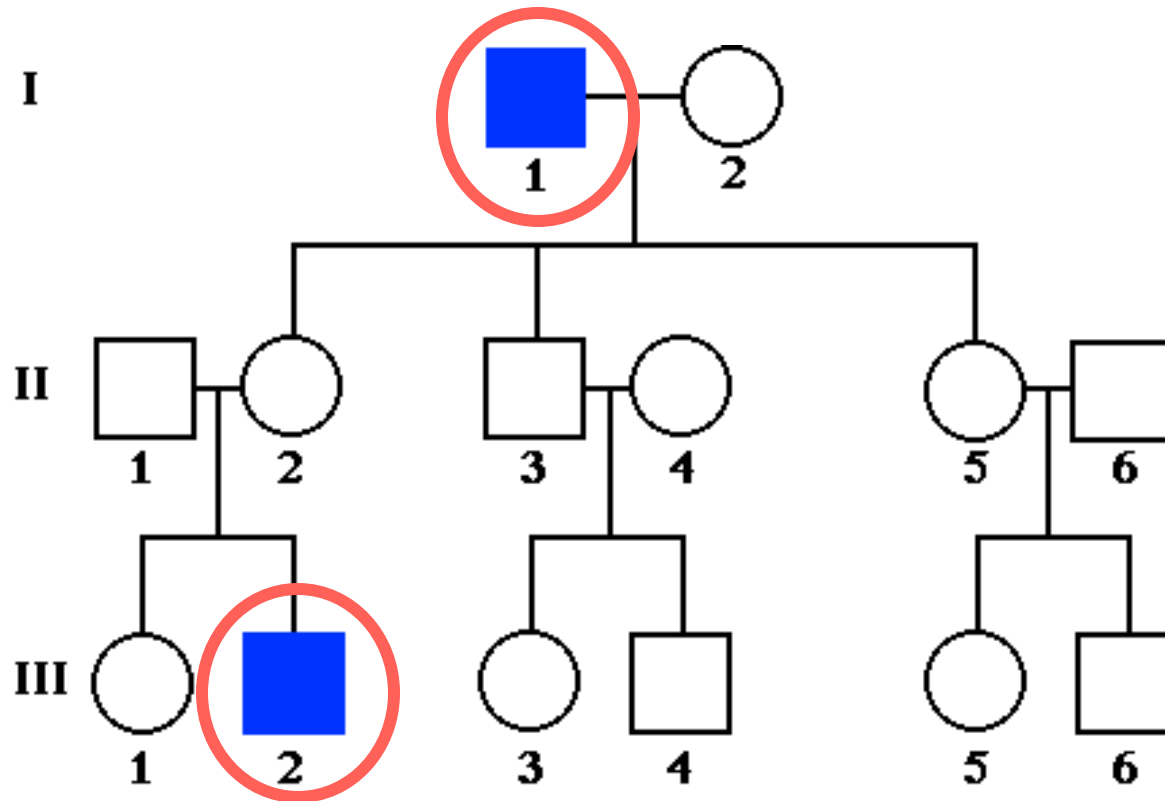
❖ $X^n X^n$

Hemophilia – Sex-linked recessive disease. Pedigree practice



1. What is the phenotype?
 - ❖ Normal female
 2. List all the possible genotypes.
 - ❖ $X^N X^n$
 - ❖ $X^N X^N$
 - ❖ If you aren't sure, put $X^N X^?$
-

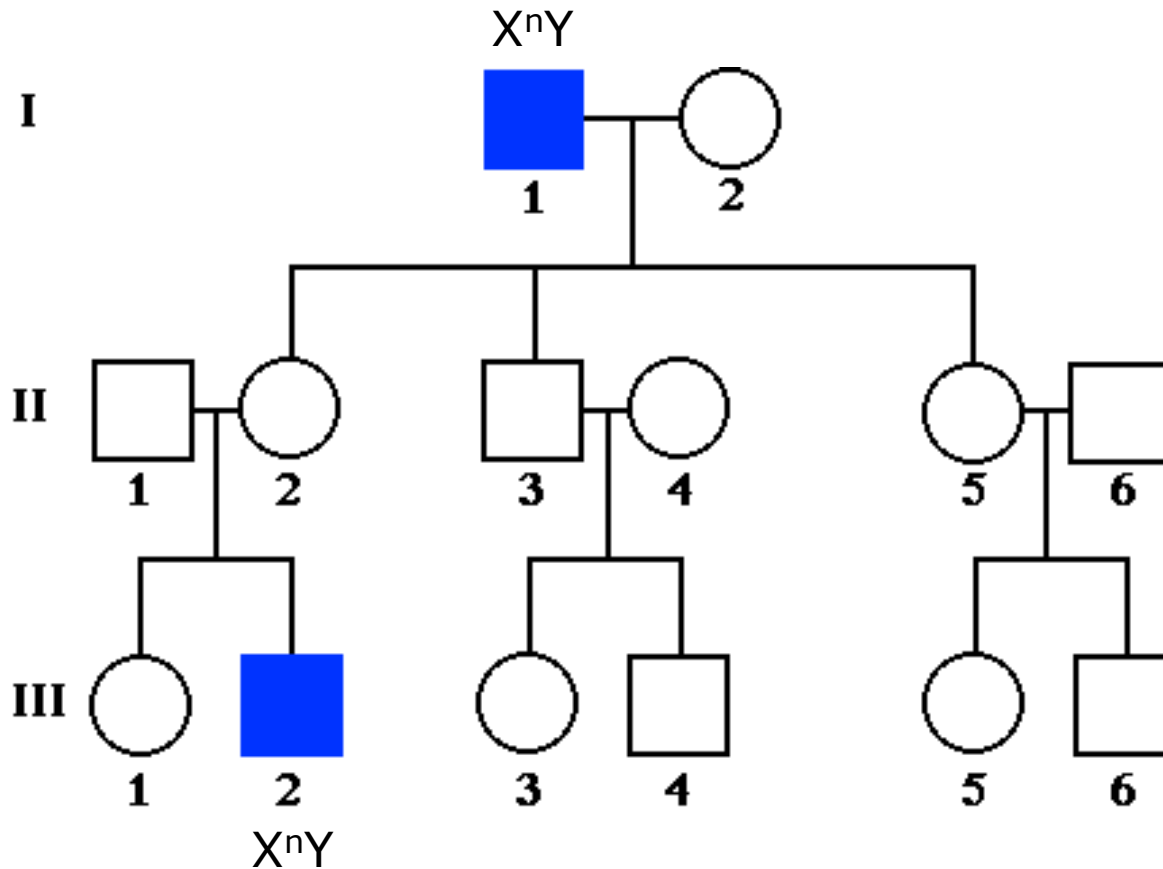
□ What is the genotype of the circled individuals?



Pedigree 7. X-linked recessive inheritance.

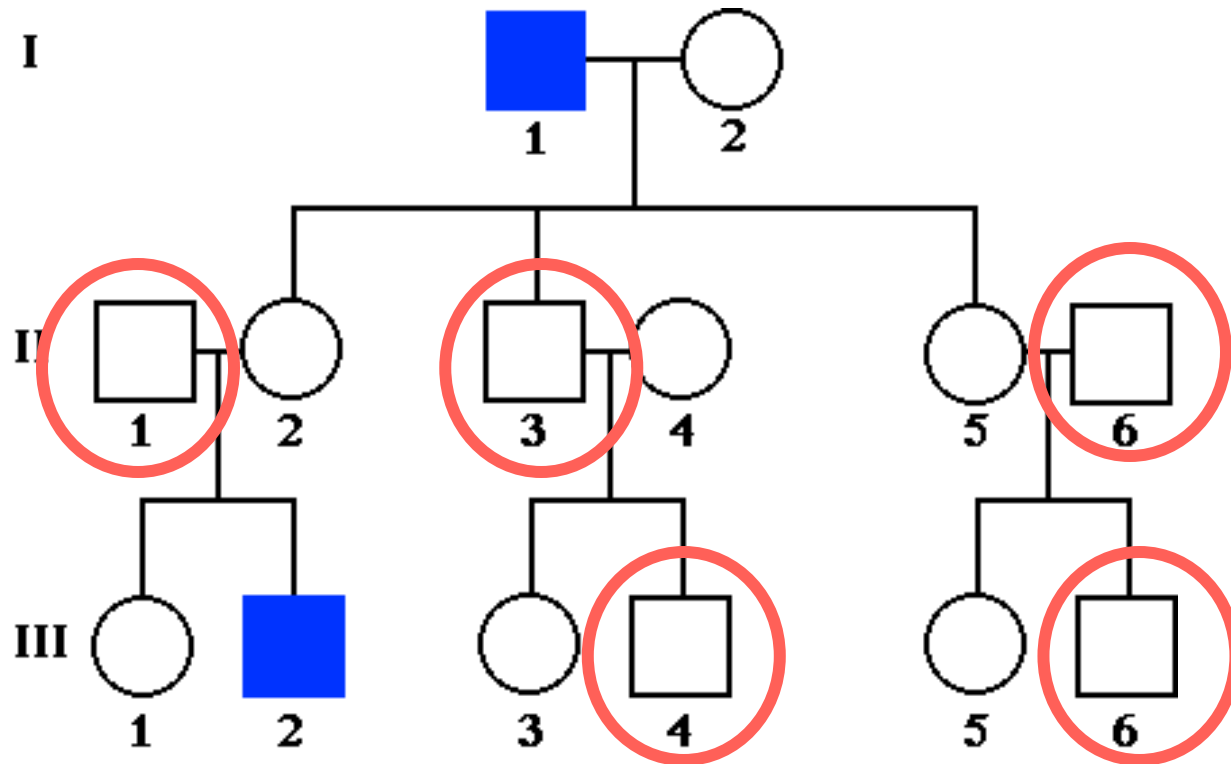
□ What is the genotype of the circled individuals?

X^nY



Pedigree 7. X-linked recessive inheritance.

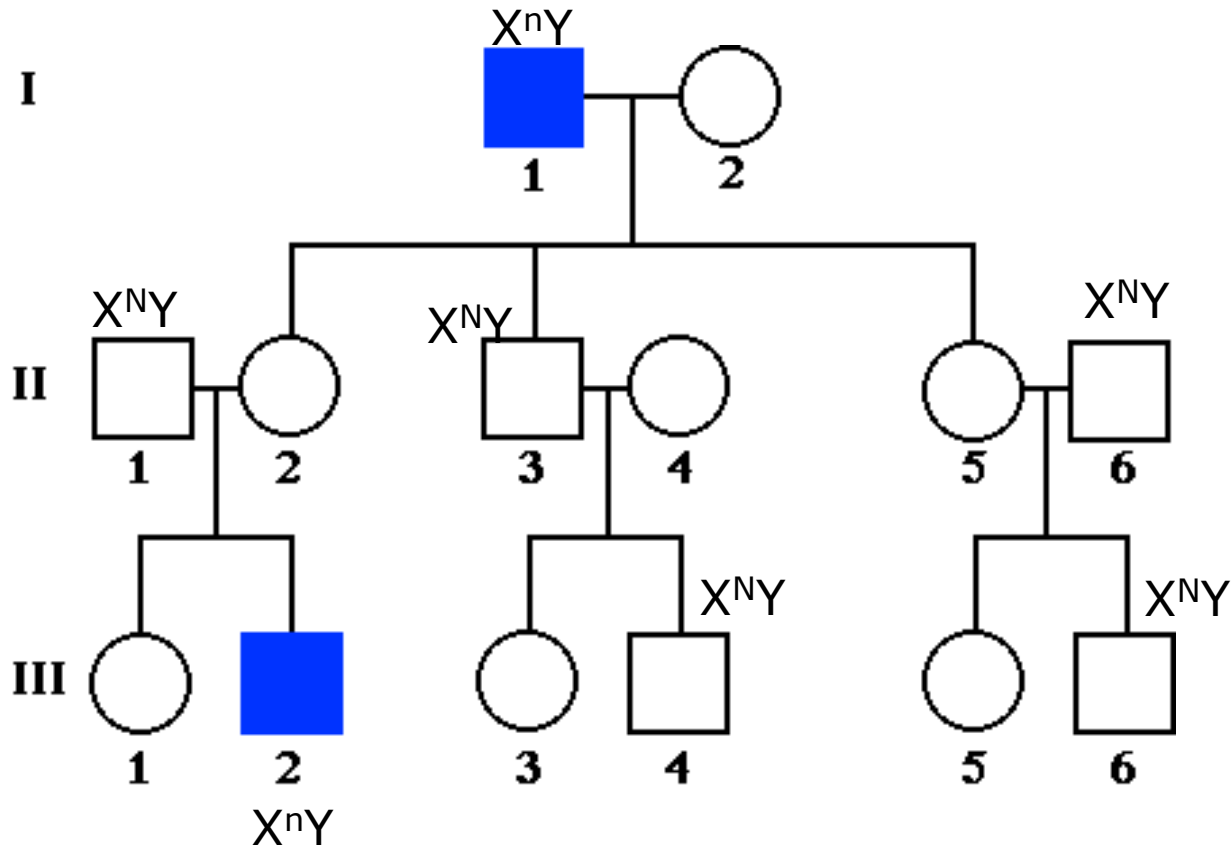
□ What is the genotype of the circled individuals?



Pedigree 7. X-linked recessive inheritance.

□ What is the genotype of the circled individuals?

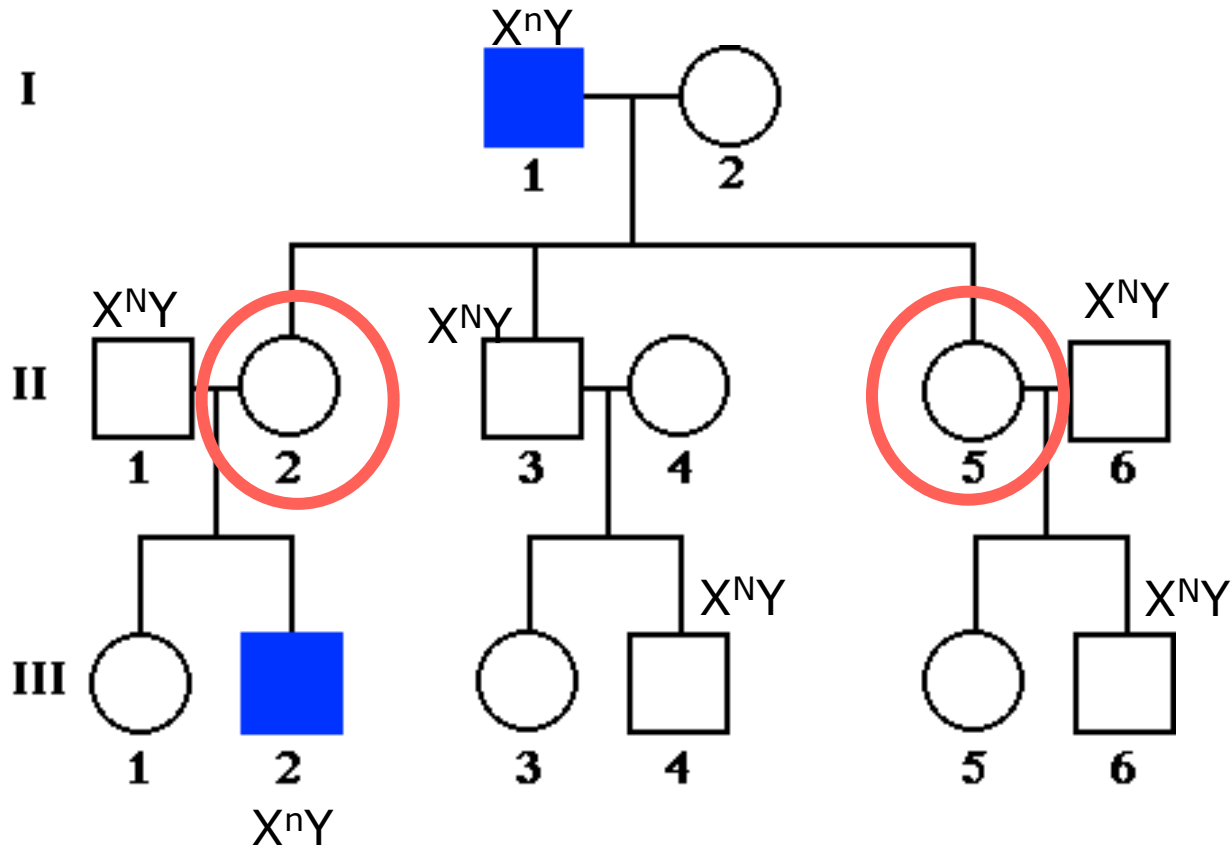
X^{NY}



Pedigree 7. X-linked recessive inheritance.

□ Which females can you be absolutely sure of their genotypes?

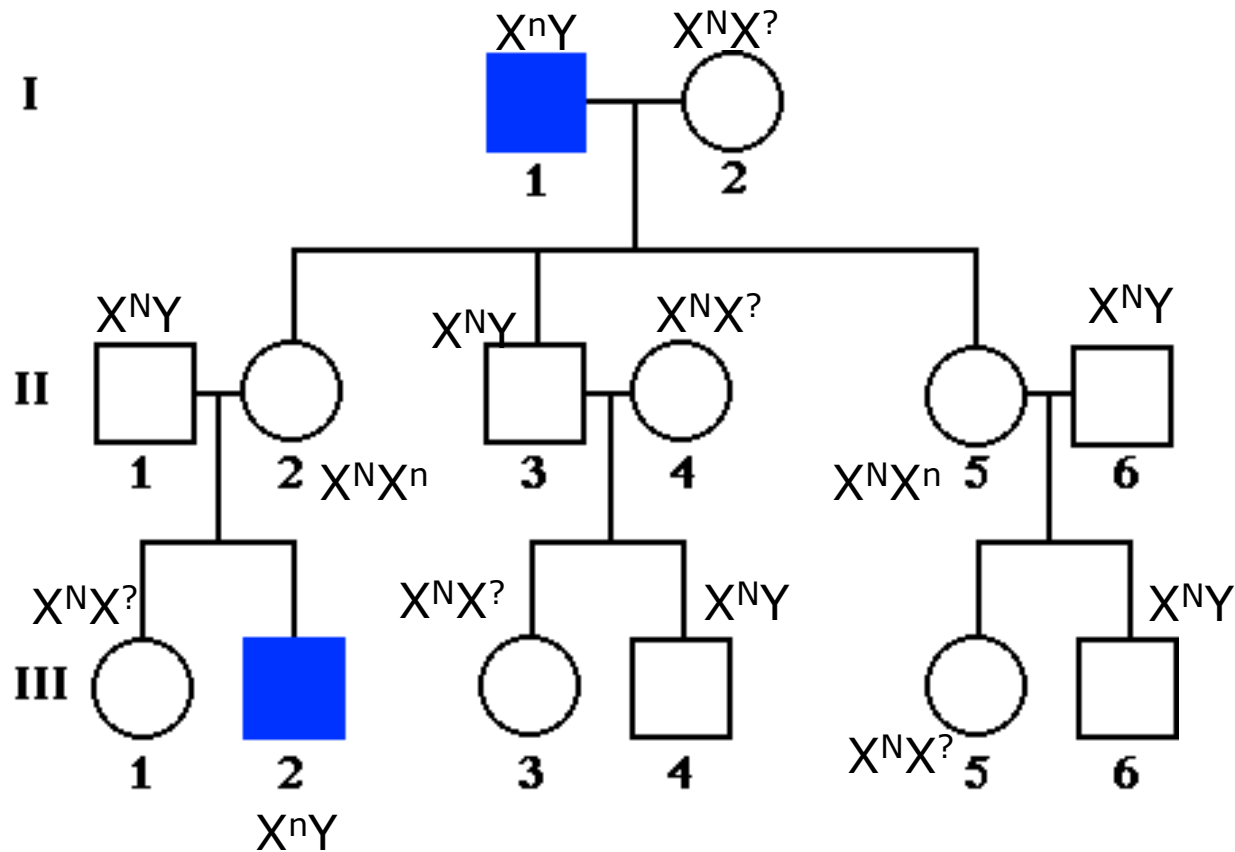
$X^N X^n$



Pedigree 7. X-linked recessive inheritance.

□ What do you have to put for the genotype for all the other females?

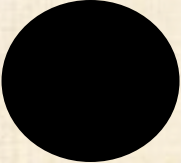
$X^N X^?$

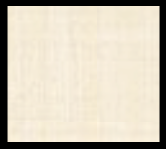



Pedigree 7. X-linked recessive inheritance.

Hemophilia – Sex-linked recessive disease. Summary

1.  = X^nY

2.  = X^nX^n

3.  = X^NY

4.  = X^NX^N Or X^NX^n Or $X^NX^?$
