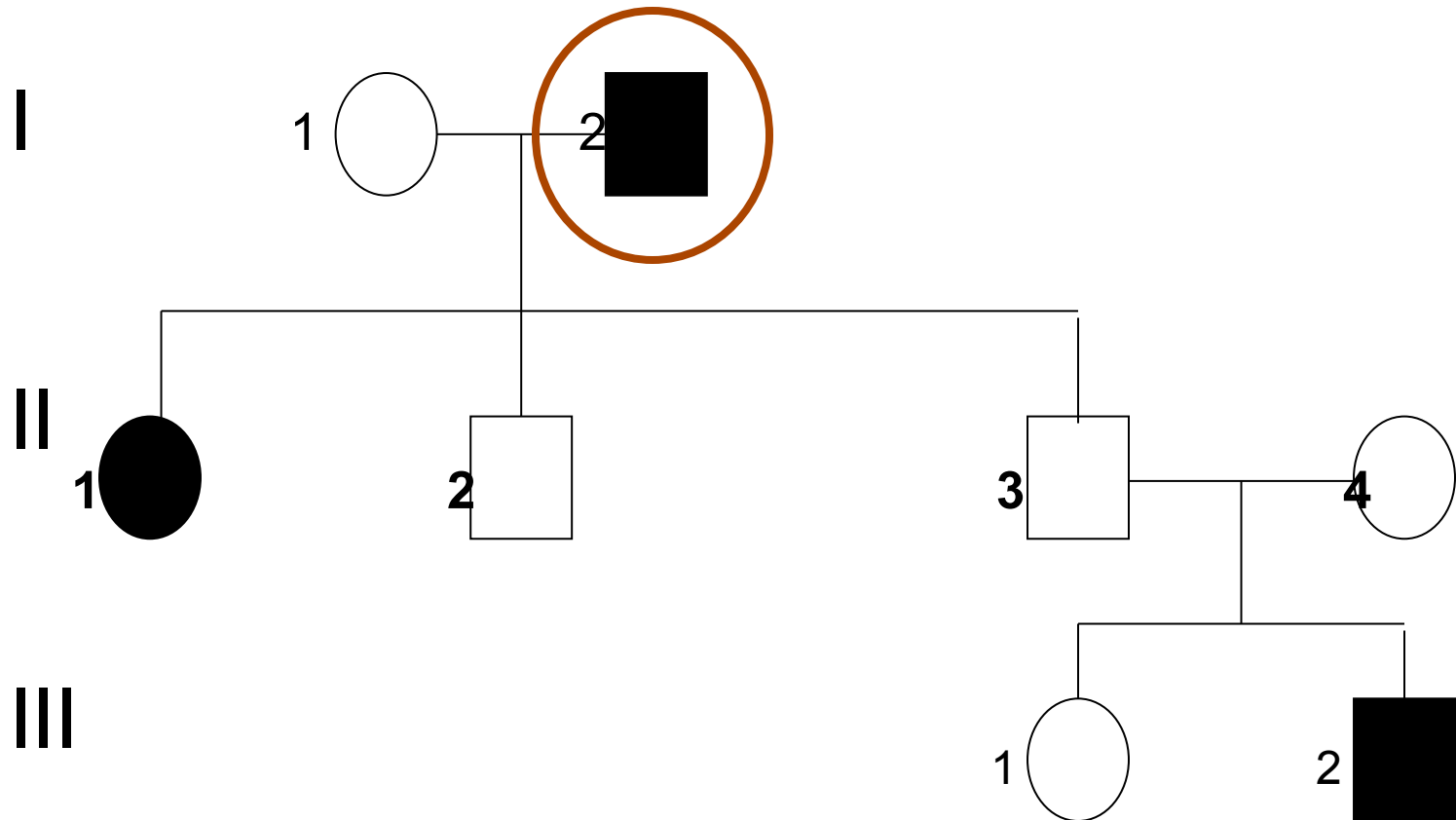


This pedigree shows the inheritance of attached ear lobes, a recessive trait.

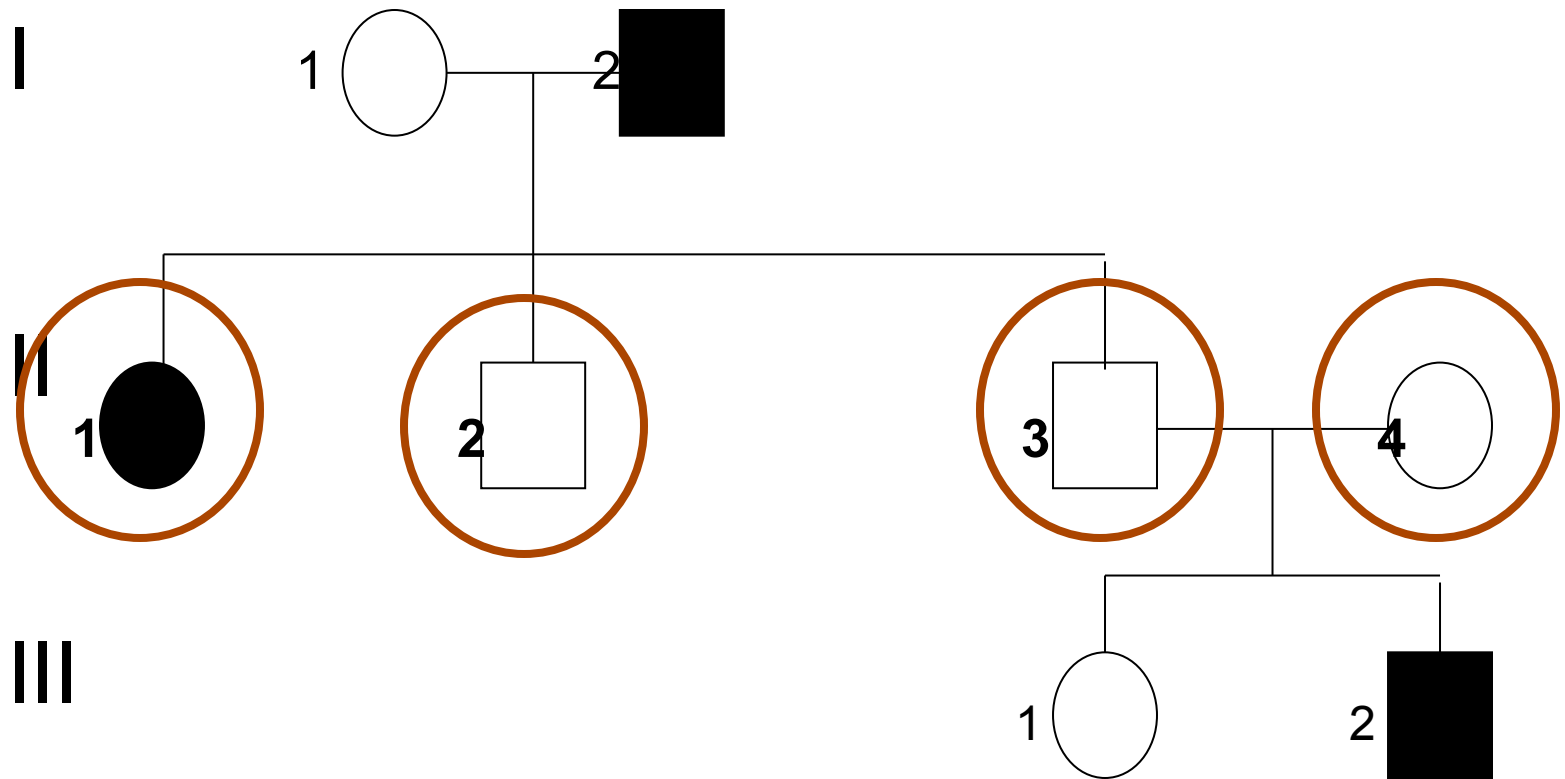
- Which parent has attached ear lobes?

I-2



- How many people are there in the 2nd generation?

4



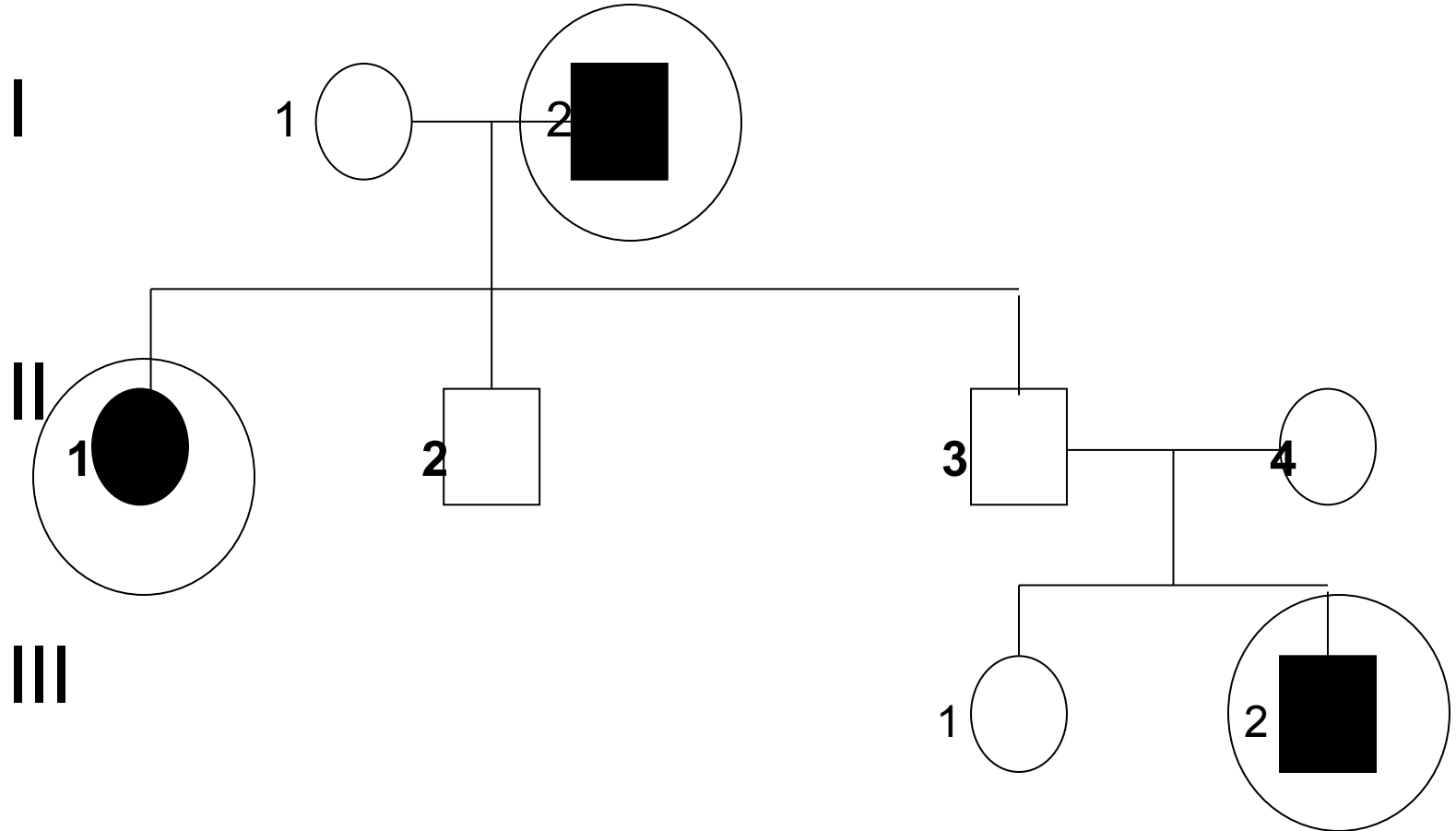
Attached earlobes is a recessive trait. What is the genotype of people with attached earlobes?

ff

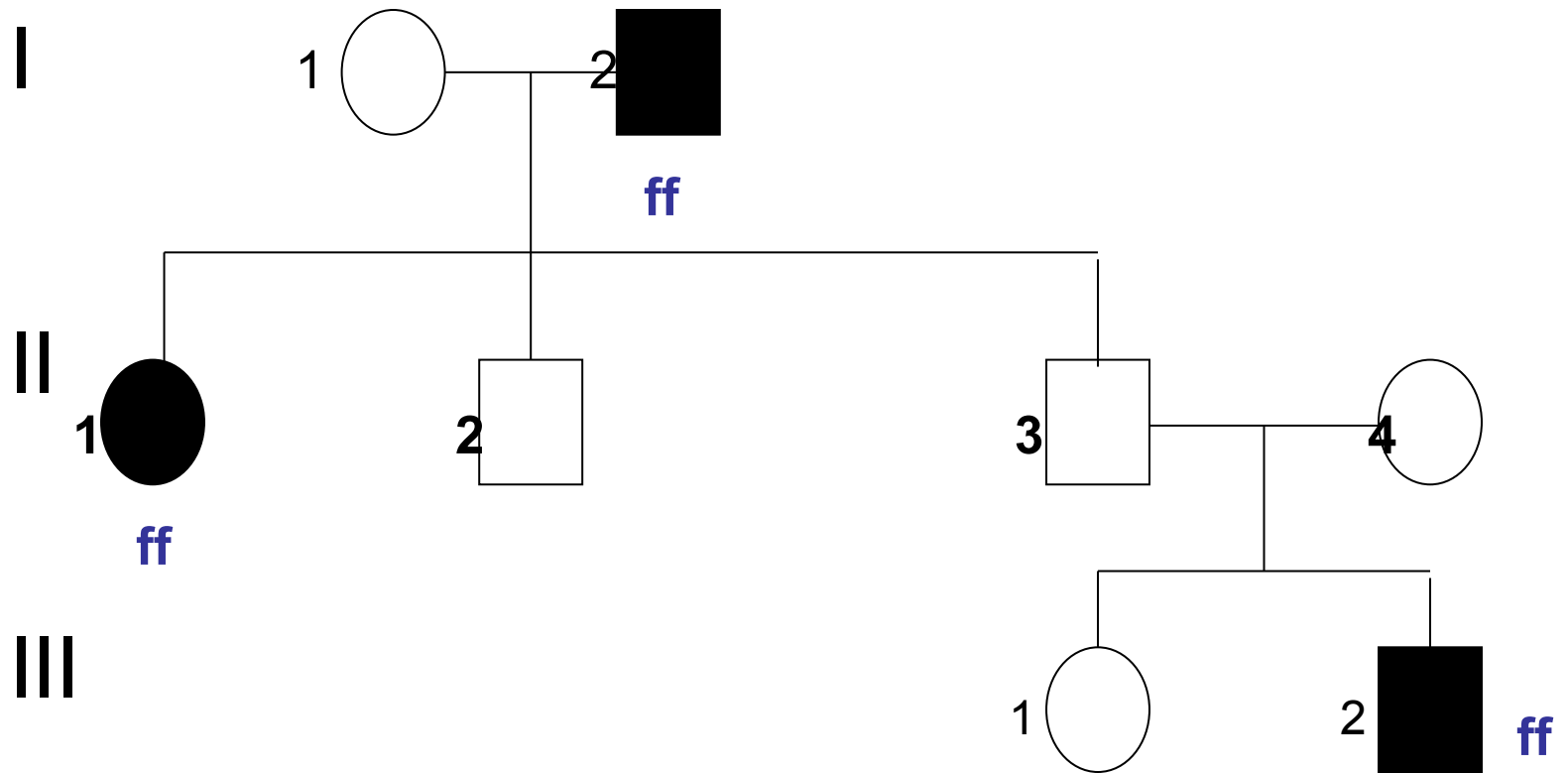
This pedigree shows the inheritance of attached ear lobes, a recessive trait.

- What is the genotype of the circled individuals?

ff



This pedigree shows the inheritance of attached ear lobes, a recessive trait.

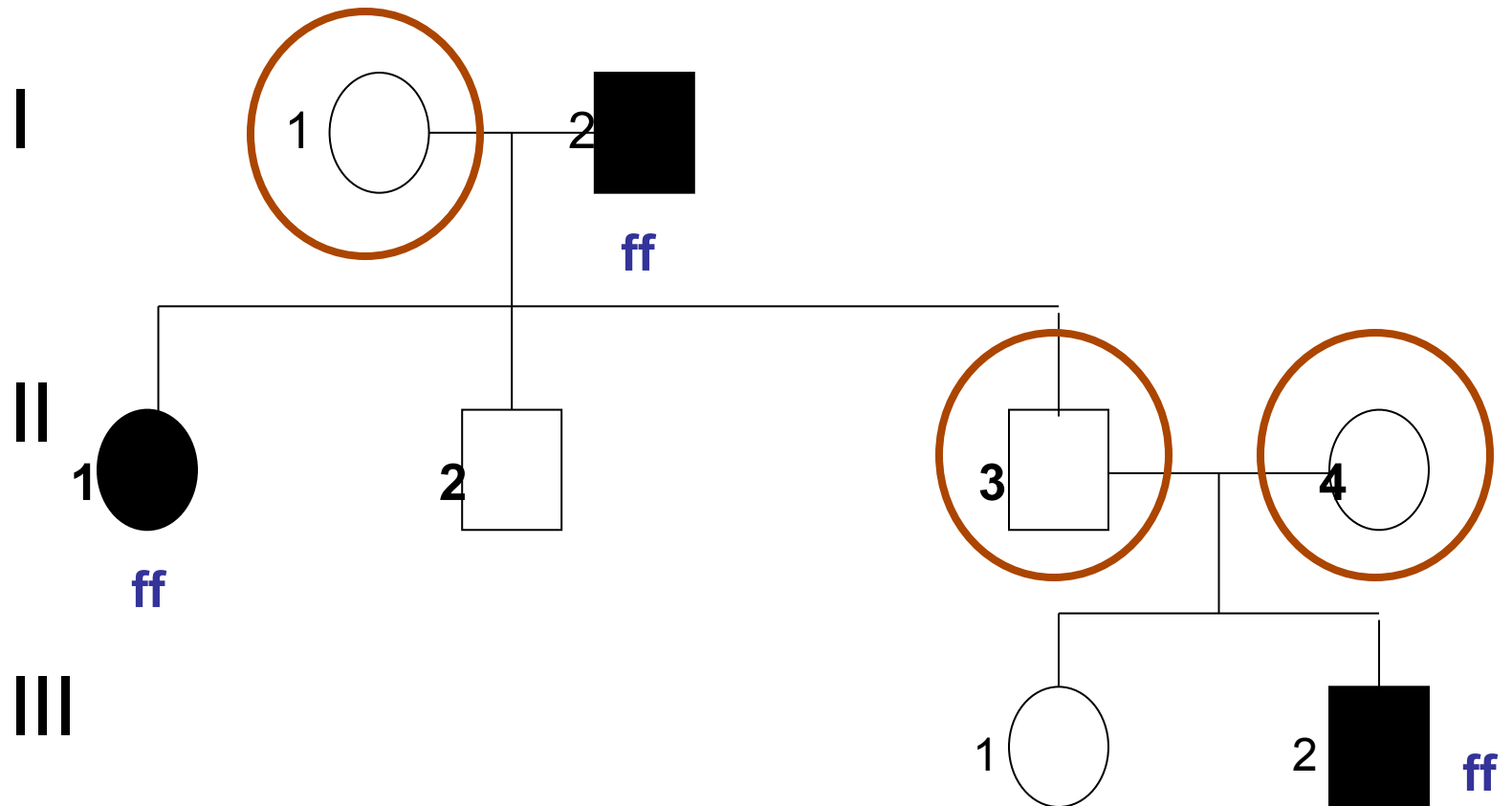


- Is it possible for someone with the genotype FF to have a child with the genotype ff?
 - No, the kid would have to get a F from their parent.

This pedigree shows the inheritance of attached ear lobes, a recessive trait.

What is the genotype of the circled individuals?

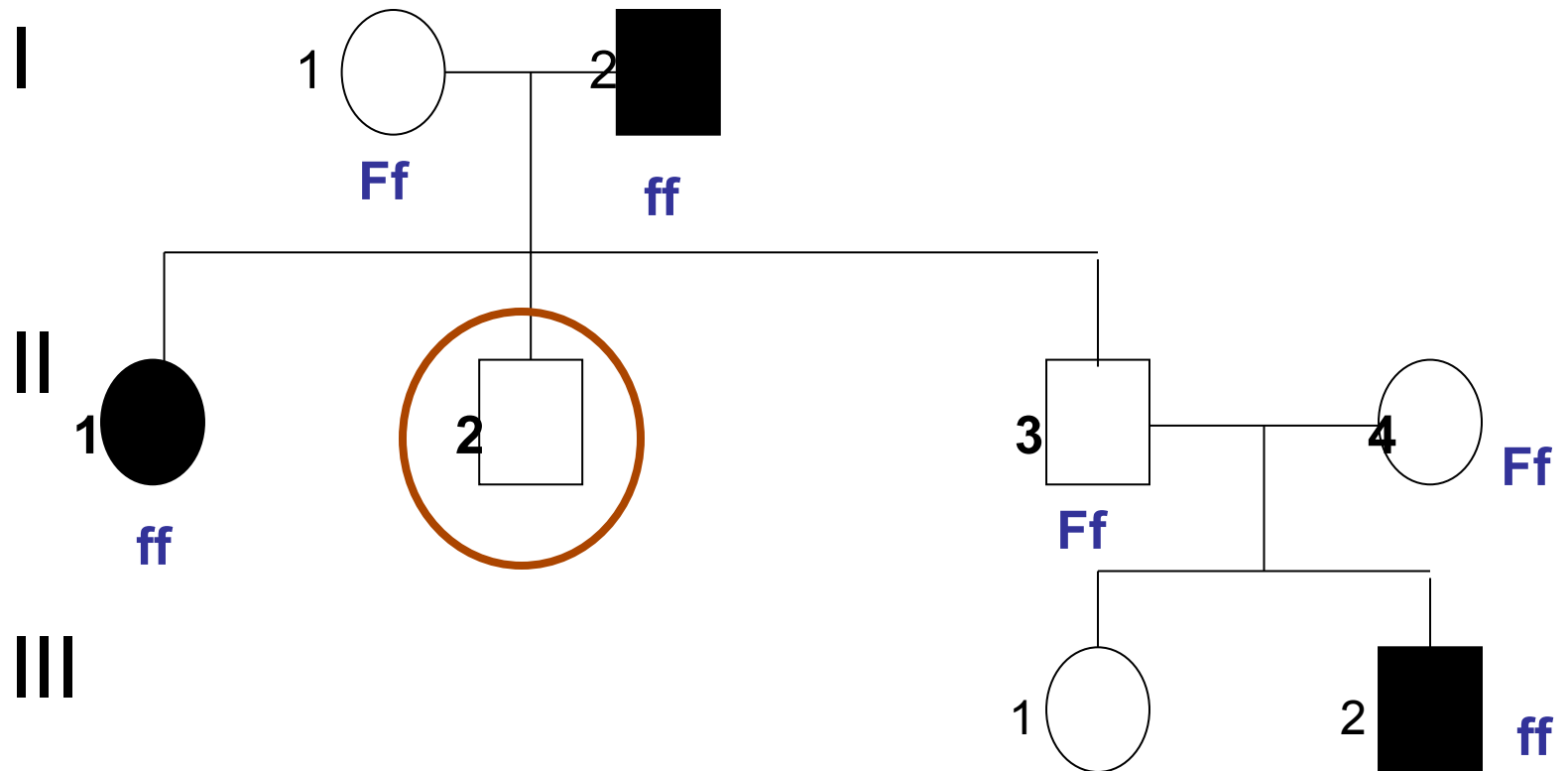
Ff



This pedigree shows the inheritance of attached ear lobes, a recessive trait.

What is the genotype person II-2?

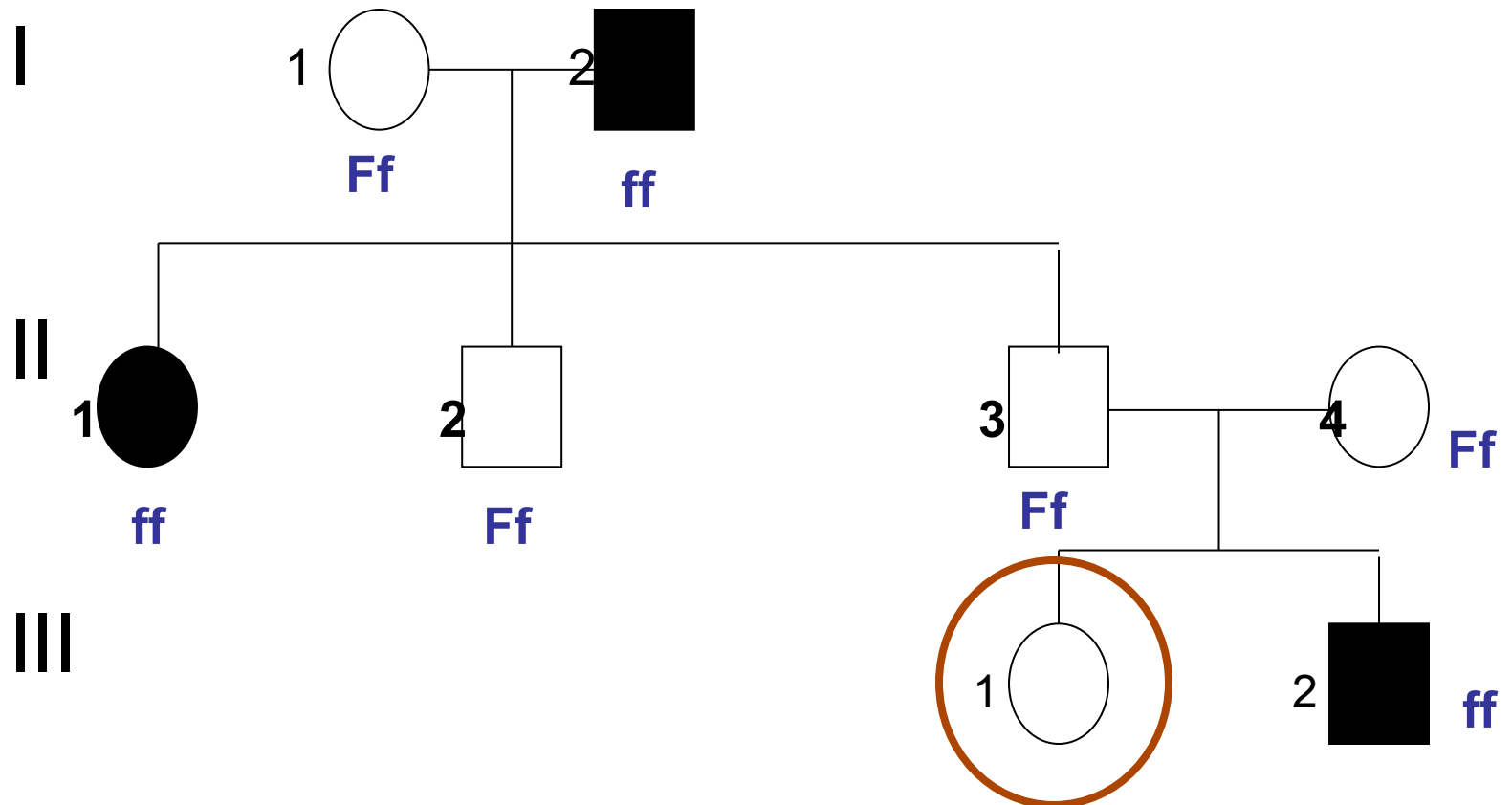
Ff



This pedigree shows the inheritance of attached ear lobes, a recessive trait.

What is the genotype person III-1?

F?



What evidence do you have the attached earlobes is a recessive trait?

Person III – 2 has attached earlobes and neither of his parents do. This could not happen with a dominant trait.

