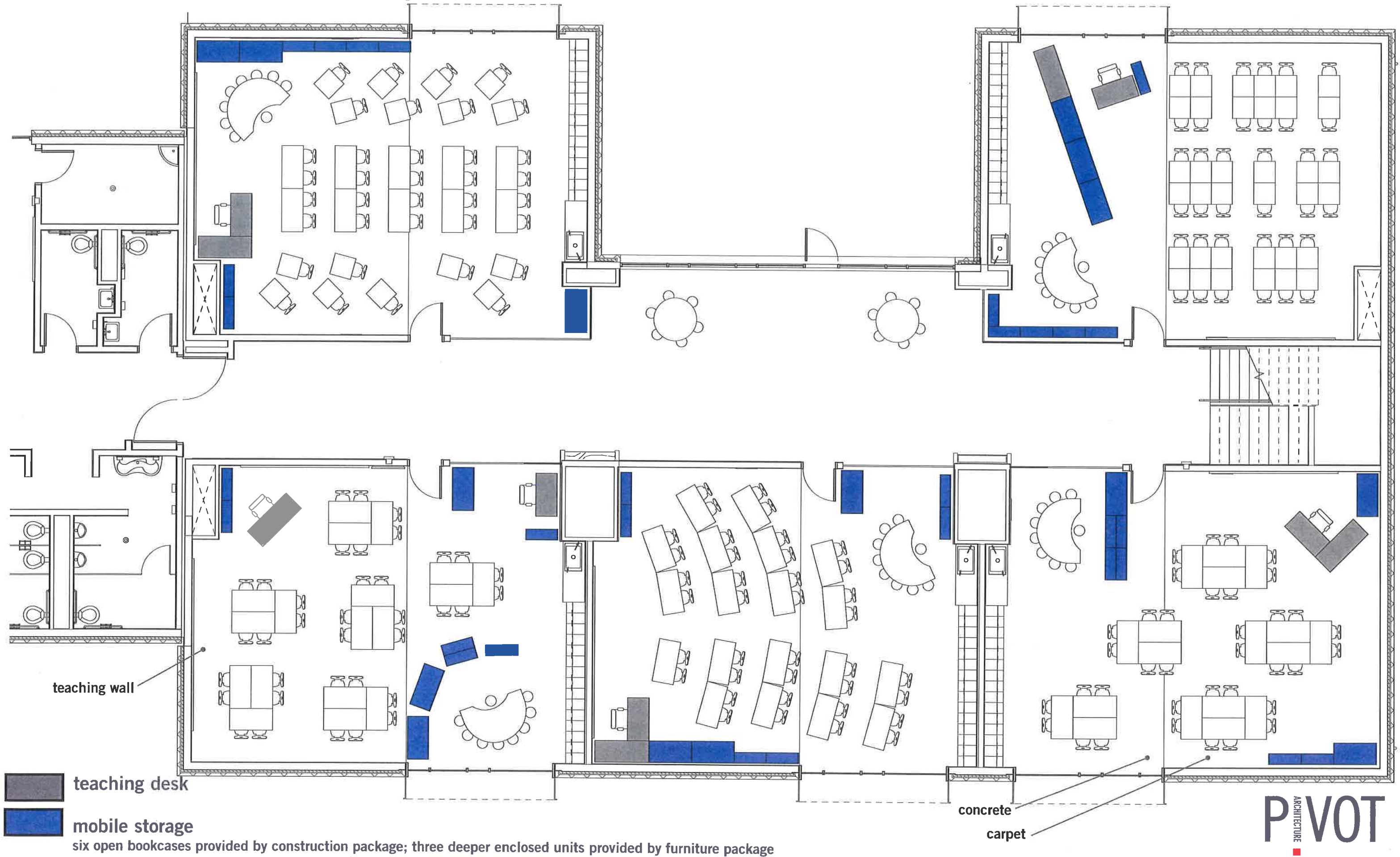
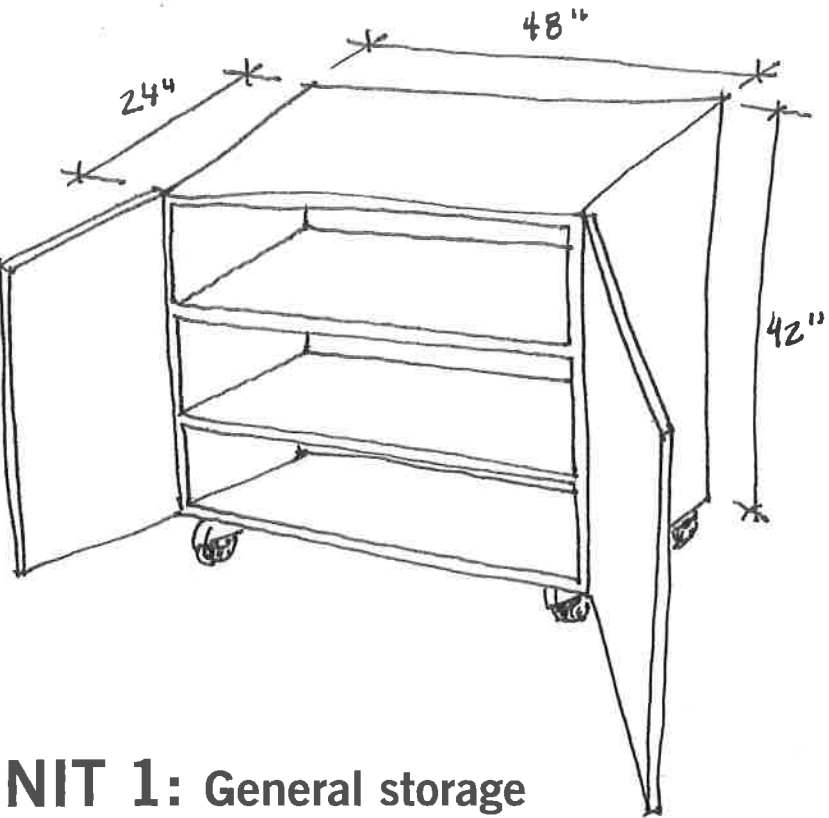


CLASSROOM ARRANGEMENTS

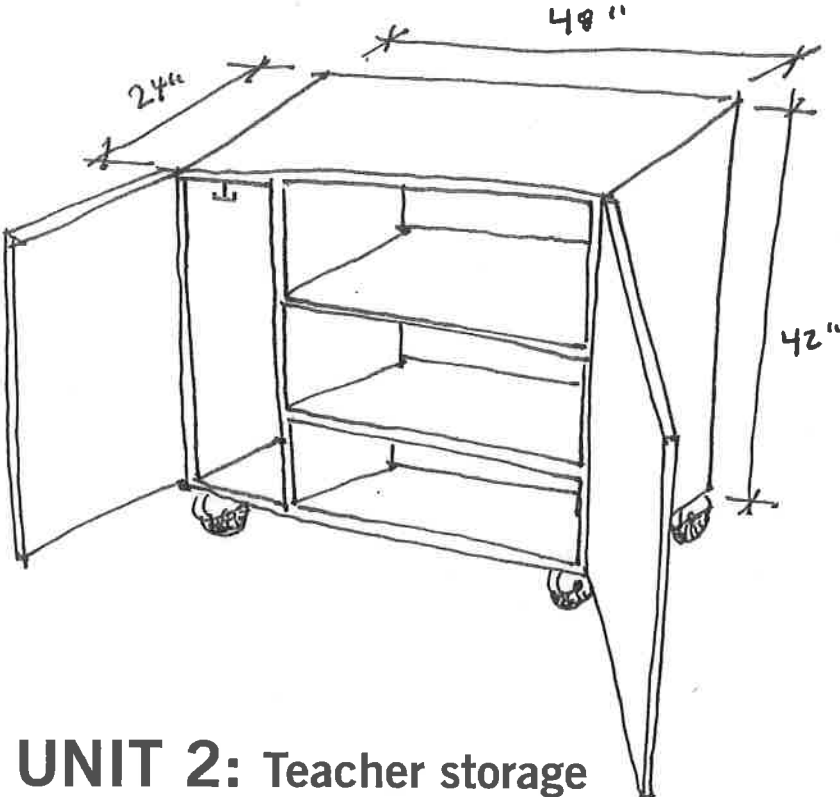


STORAGE



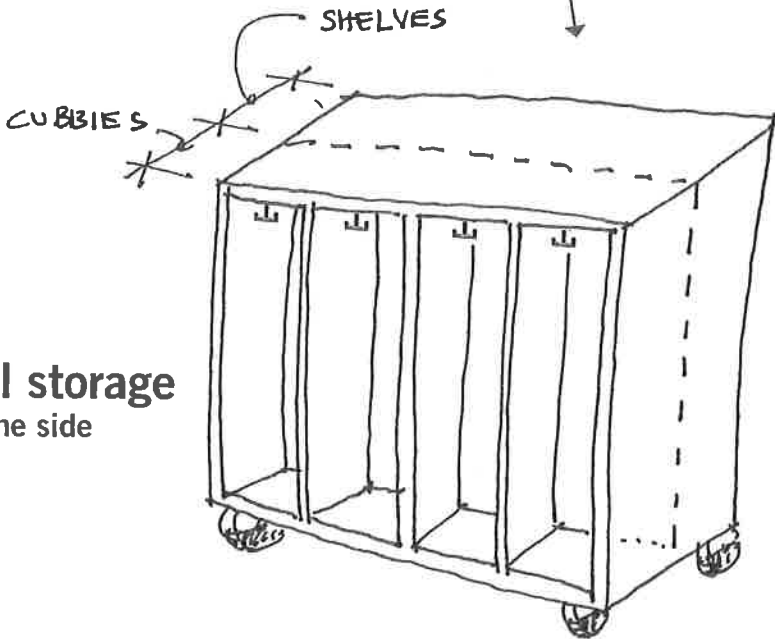
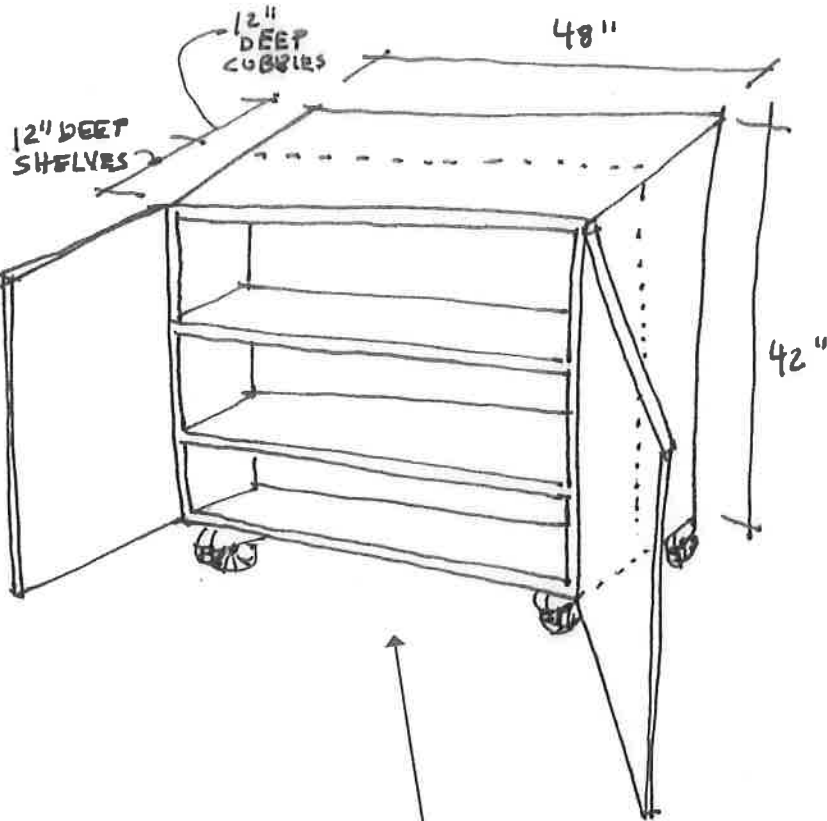
UNIT 1: General storage

Adjustable shelves, locking doors



UNIT 2: Teacher storage

Adjustable shelves, wardrobe portion, locking doors



UNIT 3: Cubby/General storage

Adjustable shelves, locking doors on one side

Open cubby divisions on other side